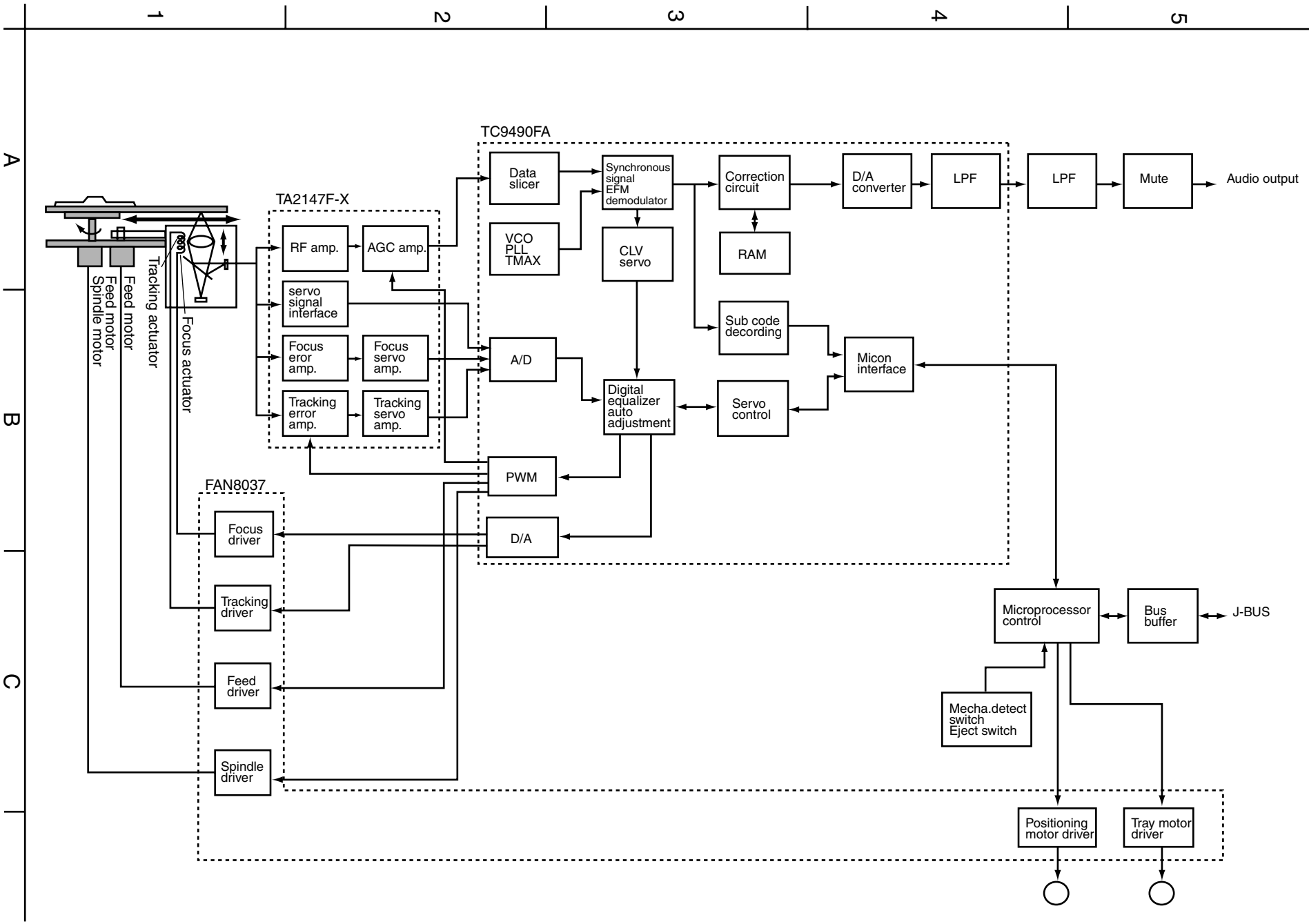


# Block Diagram



< M E M O >

# Standard schematic diagrams

## ■ Main circuit 1/2

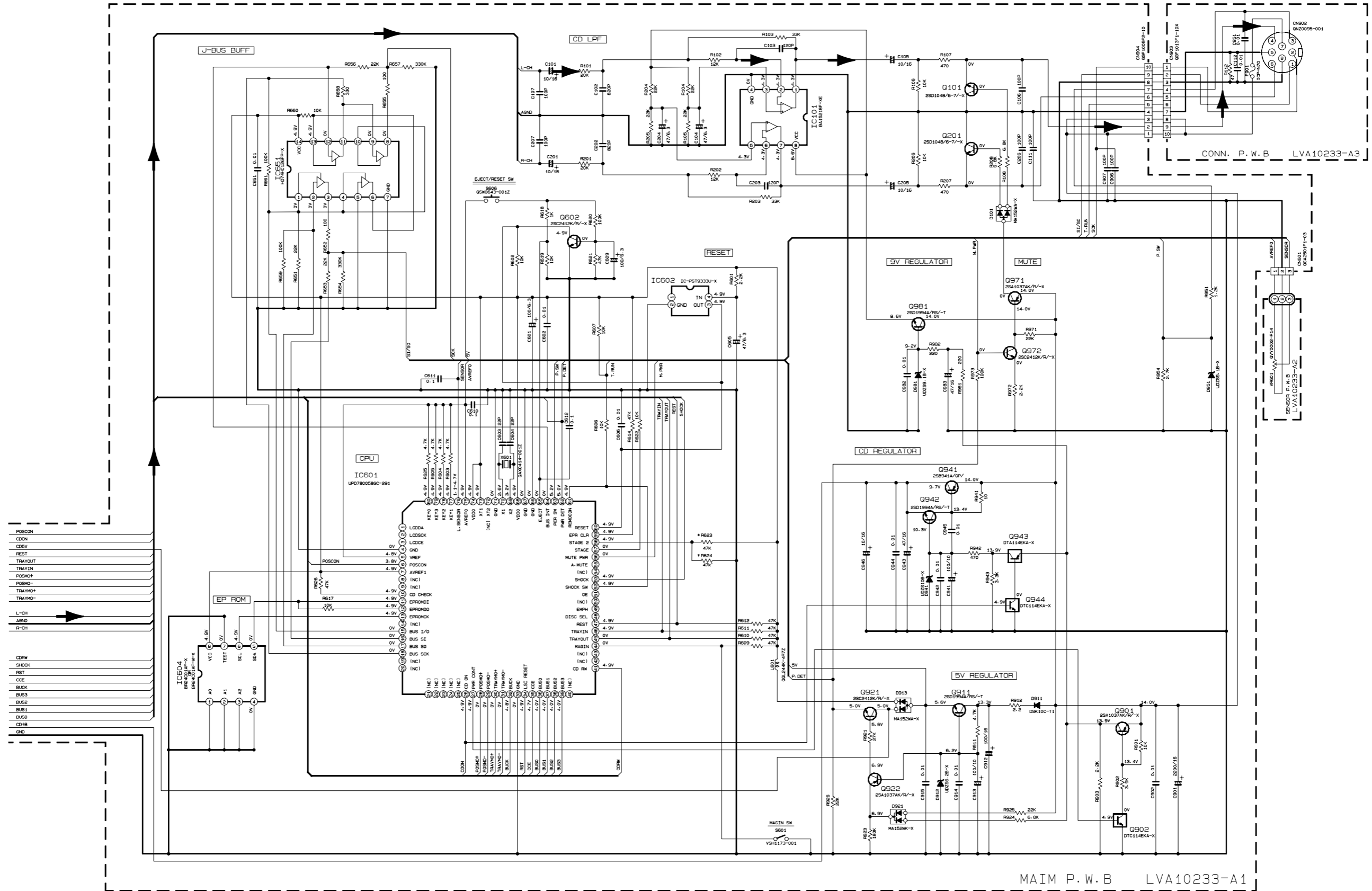
5

4

3

2

1



MAIM P.W.B LVA10233-A1

	CD-RW	R623	R624
CH-X400J2/E2		X	○
CH-X450U2		○	X
Except Avobe		○	X

DTA114EKA		
DTC114EKA		

- NOTES
1. VOLTAGES ARE DC-MEASURED WITH A DIGITAL VOLT METER WITHOUT INPUT SIGNAL CONDITION---CD MODE.
  2. UNLESS OTHERWISE SPECIFIED, ALL RESISTORS ARE 1/10W OR 1/4W ±5% METAL GLAZE RESISTOR. ALL CAPACITORS ARE 50V OR 25V CERAMIC CAPACITOR. ALL RESISTANCE VALUES ARE IN ΩM. ALL CAPACITANCE VALUES ARE IN μF (PpF). ALL CAPACITORS ARE SHOWN IN THE FORM OF CAPACITANCE (μF)/RATED VOLTAGE (V).

➔ SIGNAL

Main circuit 2/2

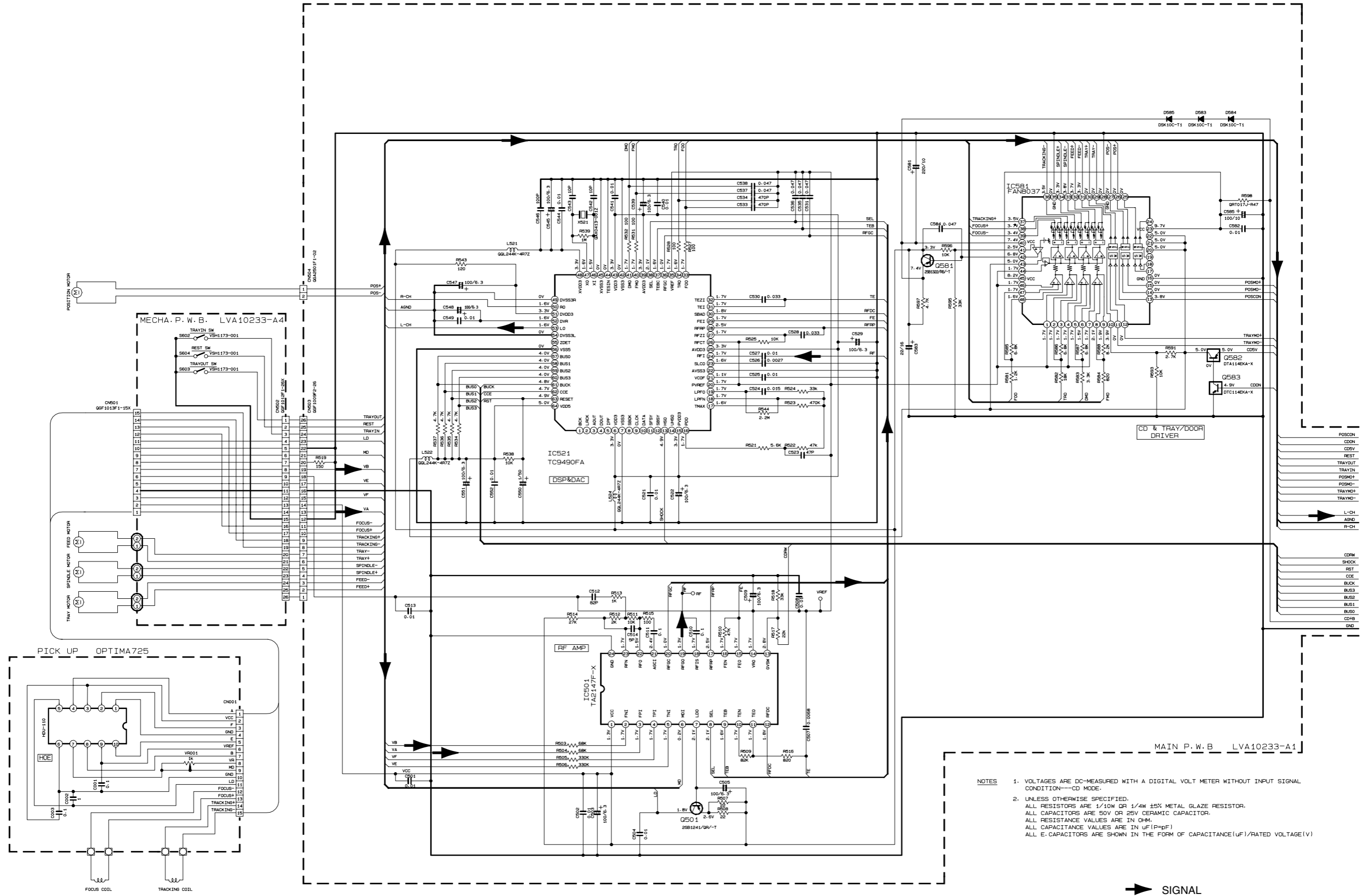
5

4

3

2

1



NOTES

1. VOLTAGES ARE DC-MEASURED WITH A DIGITAL VOLT METER WITHOUT INPUT SIGNAL CONDITION—CD MODE.
2. UNLESS OTHERWISE SPECIFIED, ALL RESISTORS ARE 1/10W OR 1/4W ±5% METAL GLAZE RESISTOR. ALL CAPACITORS ARE 50V OR 25V CERAMIC CAPACITOR. ALL RESISTANCE VALUES ARE IN OHM. ALL CAPACITANCE VALUES ARE IN uF(P=PF) ALL E. CAPACITORS ARE SHOWN IN THE FORM OF CAPACITANCE(uF)/RATED VOLTAGE(V)

➔ SIGNAL

A B C 2-4 D E F G H

# Printed circuit boards

## ■ Main board(Forward side)

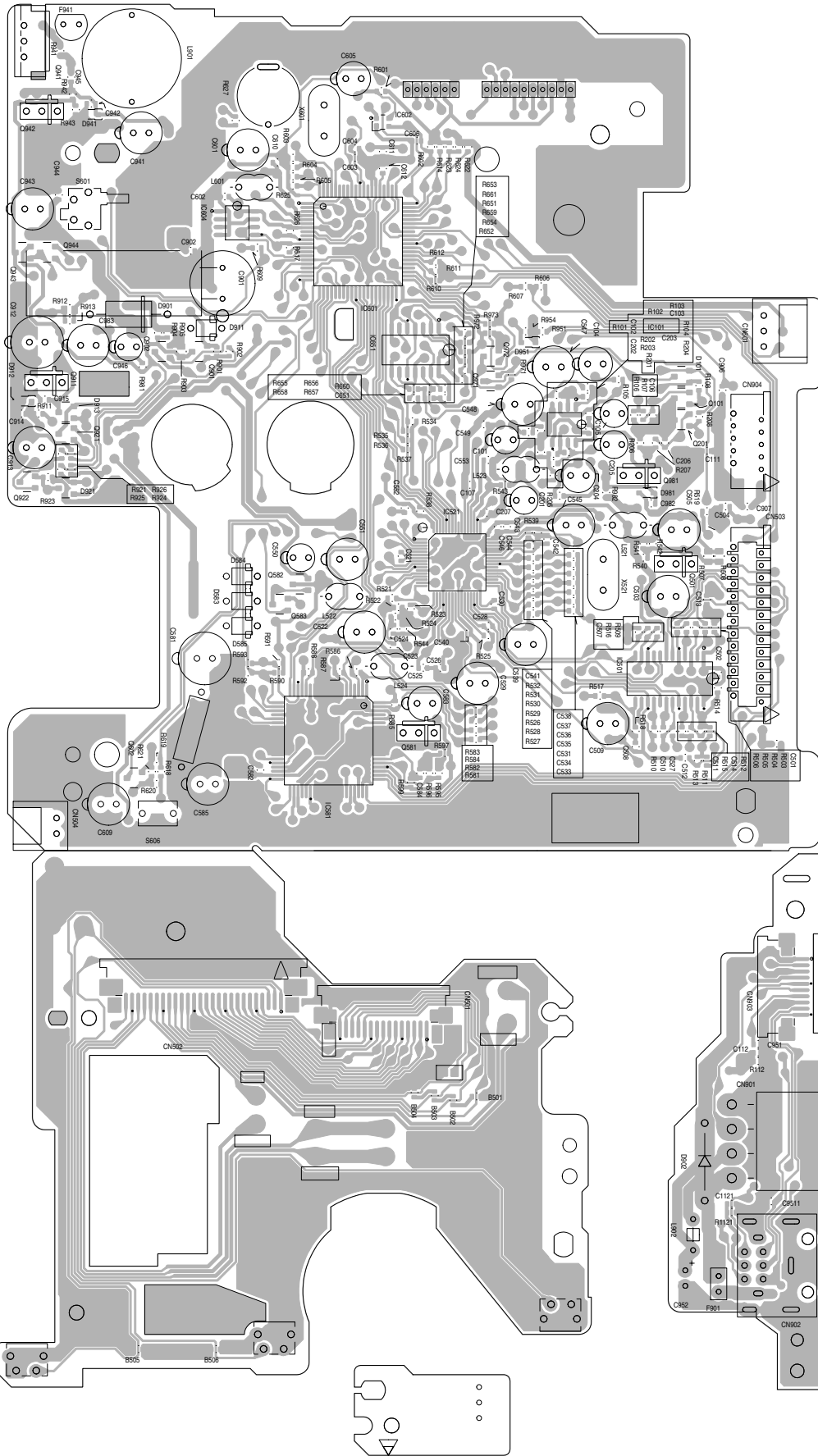
5

4

3

2

1

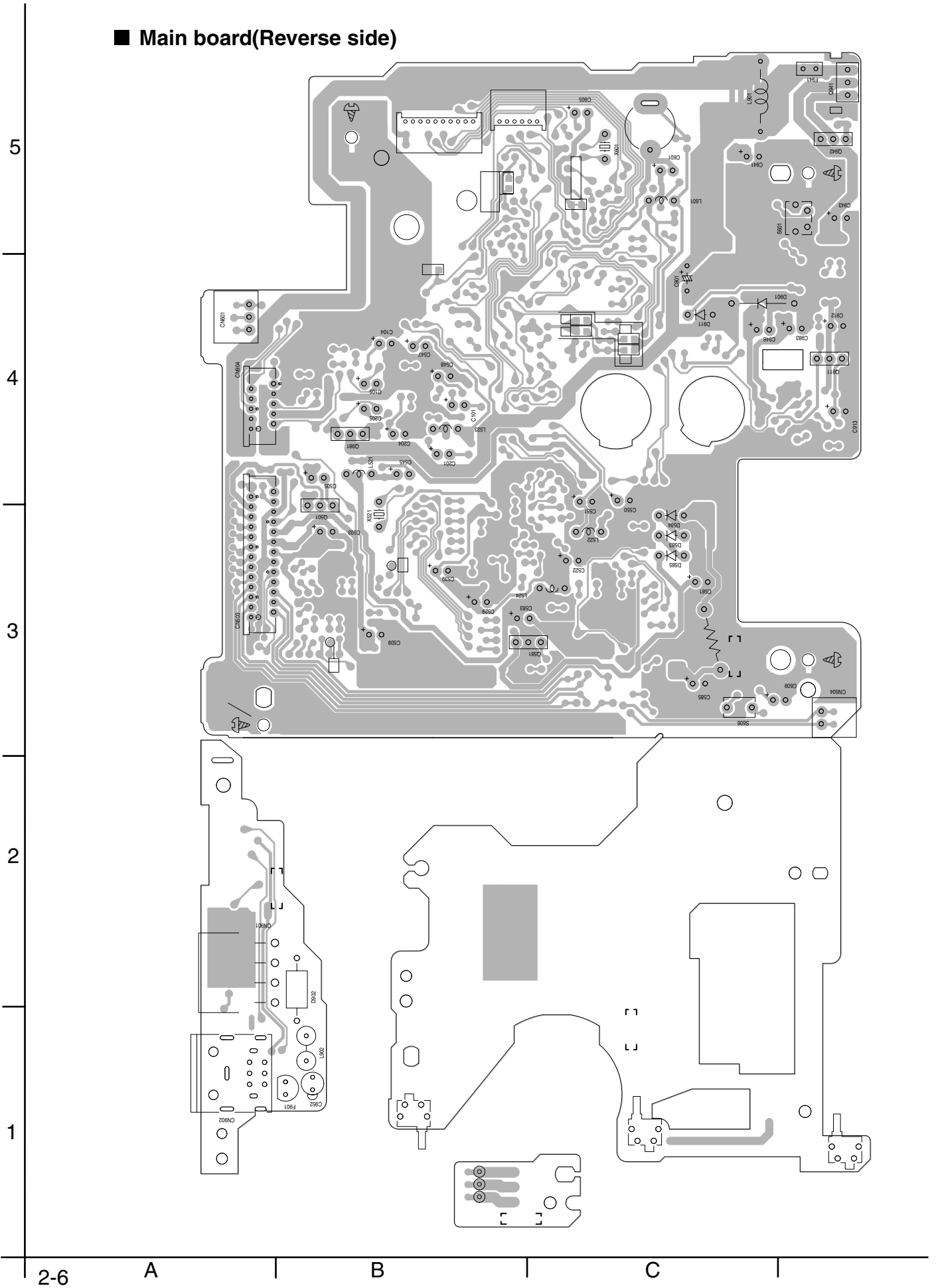


A

B

C

■ Main board(Reverse side)



< MEMO >